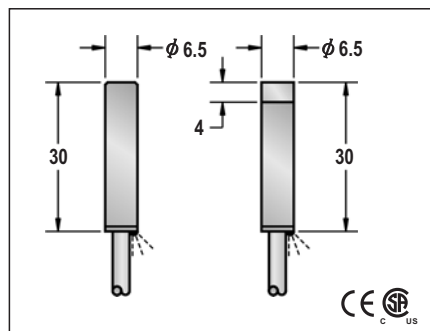


DC INDUCTIVE SHORT FORM PROXIMITY SWITCH

φ6.5	
●	○
1mm, 1.5mm	2mm, 2.5mm
stainless steel	
●	

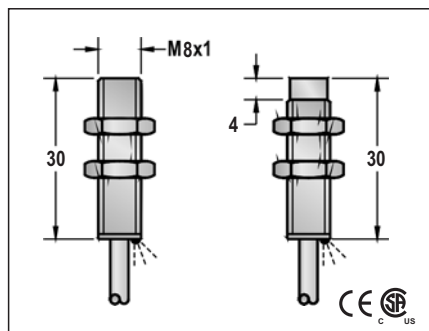


10-30VDC or 5-36VDC	
<10%	
<10mA	
200mA	
<0.01mA	
-	
-	
<1.5V(10-30V) or <1.0V(5-36V)	
2KHZ	
0.1ms/0.1ms	
<15%(Sr)	
<1.0%(Sr)	
IP67	
-25°C - +70°C	
<10%(Sr)	
YES	
220mA	
<10ms	
RFI>3V/m / EFT>1KV / ESD>4KV (contact)	
IEC 60947-5-2,Part 7.4.1 / IEC 60947-5-2,Part 7.4.2	
POM	

FCU1-D0601N-A3S2	1	FCU2-D0602N-A3S2
FCU1-D0601N-B3S2	2	FCU2-D0602N-B3S2
FCU1-D0601P-A3S2	3	FCU2-D0602P-A3S2
FCU1-D0601P-B3S2	4	FCU2-D0602P-B3S2
ICU1-D061.5N-A3S2	1	ICU2-D062.5N-A3S2
ICU1-D061.5N-B3S2	2	ICU2-D062.5N-B3S2
ICU1-D061.5P-A3S2	3	ICU2-D062.5P-A3S2
ICU1-D061.5P-B3S2	4	ICU2-D062.5P-B3S2

5-36v: ICU*.***** type switching distance Sn=1.5mm (shielded), Sn=2.5mm (non-shielded).	
3 φ 3x0.15	
Approx.40 g	

M 8	
●	○
1mm, 1.5mm	2mm, 2.5mm
stainless steel	
●	

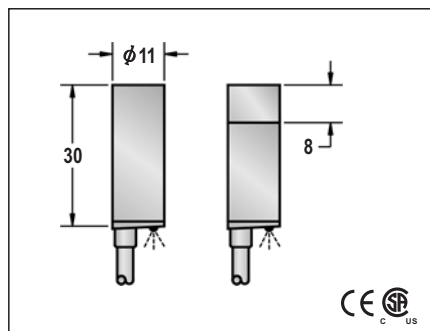


10-30VDC or 5-36VDC	
<10%	
<10mA	
200mA	
<0.01mA	
-	
-	
<1.5V(10-30V) or <1.0V(5-36V)	
2KHZ	
0.1ms/0.1ms	
<15%(Sr)	
<1.0%(Sr)	
IP67	
-25°C - +70°C	
<10%(Sr)	
YES	
220mA	
<10ms	
RFI>3V/m / EFT>1KV / ESD>4KV (contact)	
IEC 60947-5-2,Part 7.4.1 / IEC 60947-5-2,Part 7.4.2	
POM	

FCU1-0801N-A3S2	1	FCU2-0802N-A3S2
FCU1-0801N-B3S2	2	FCU2-0802N-B3S2
FCU1-0801P-A3S2	3	FCU2-0802P-A3S2
FCU1-0801P-B3S2	4	FCU2-0802P-B3S2
ICU1-081.5N-A3S2	1	ICU2-082.5N-A3S2
ICU1-081.5N-B3S2	2	ICU2-082.5N-B3S2
ICU1-081.5P-A3S2	3	ICU2-082.5P-A3S2
ICU1-081.5P-B3S2	4	ICU2-082.5P-B3S2

5-36v: ICU*.***** type switching distance Sn=1.5mm (shielded), Sn=2.5mm (non-shielded).	
3 φ 3x0.15	
Approx.47 g	

φ11	
●	○
2 mm	4 mm
stainless steel or nickel plated brass	
●	



10-30VDC or 5-36VDC	
<10%	
<10mA	
200mA	
<0.01mA	
-	
-	
<1.5V(10-30V) or <1.0V(5-36V)	
2KHZ	
0.1ms/0.1ms	1KHZ 0.2ms/0.2ms
<15%(Sr)	
<1.0%(Sr)	
IP67	
-25°C - +70°C	
<10%(Sr)	
YES	
220mA	
<10ms	
RFI>3V/m / EFT>1KV / ESD>4KV (contact)	
IEC 60947-5-2,Part 7.4.1 / IEC 60947-5-2,Part 7.4.2	
POM	

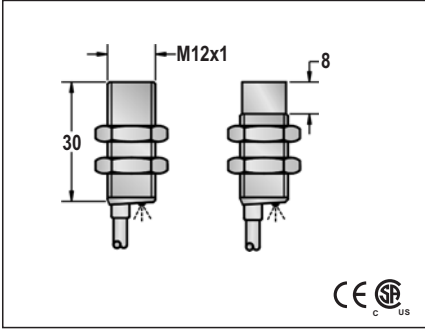
FCM1-D1102N-A3S2	1	FCM2-D1104N-A3S2
FCM1-D1102N-B3S2	2	FCM2-D1104N-B3S2
FCM1-D1102P-A3S2	3	FCM2-D1104P-A3S2
FCM1-D1102P-B3S2	4	FCM2-D1104P-B3S2
ICM1-D1102N-A3S2	1	ICM2-D1104N-A3S2
ICM1-D1102N-B3S2	2	ICM2-D1104N-B3S2
ICM1-D1102P-A3S2	3	ICM2-D1104P-A3S2
ICM1-D1102P-B3S2	4	ICM2-D1104P-B3S2
ICM1-D1102P-S4S2	6	ICM2-D1104P-S4S2
ICM1-D1102N-S4S2	5	ICM2-D1104N-S4S2

Short type changeover 5-36V DC only	
4 φ 3x0.15	
Approx.59 g	Approx.58 g

M12、 M18、 M30

DC INDUCTIVE SHORT FORM PROXIMITY SWITCH

M 12	
2 mm	4 mm
stainless steel or nickel plated brass	



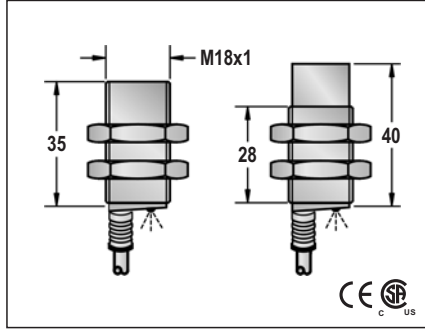
10-30VDC or 5-36VDC	
<10%	
<10mA	
200mA	
<0.01mA	
-	
<1.5V(10-30V) or <1.0V(5-36V)	
2KHZ	1KHZ
0.1ms/0.1ms	0.2ms/0.2ms
<15%(Sr)	
<1.0%(Sr)	
IP67	
-25°C - +70°C	
<10%(Sr)	
YES	
220mA	
<10ms	
RFI>3V/m / EFT>1KV / ESD>4KV (contact)	
IEC 60947-5-2,Part 7.4.1 / IEC 60947-5-2,Part 7.4.2	
POM	PBT

FCM1-1202N-A3S2	1	FCM2-1204N-A3S2
FCM1-1202N-B3S2	2	FCM2-1204N-B3S2
FCM1-1202P-A3S2	3	FCM2-1204P-A3S2
FCM1-1202P-B3S2	4	FCM2-1204P-B3S2
FCM1-1202P-S4S2	6	FCM2-1204P-S4S2
FCM1-1202N-S4S2	5	FCM2-1204N-S4S2
FCM1-1202C-A2S2	7	FCM2-1204C-A2S2
FCM1-1202C-B2S2	8	FCM2-1204C-B2S2
ICM1-1202N-A3S2	1	ICM2-1204N-A3S2
ICM1-1202N-B3S2	2	ICM2-1204N-B3S2
ICM1-1202P-A3S2	3	ICM2-1204P-A3S2
ICM1-1202P-B3S2	4	ICM2-1204P-B3S2
ICM1-1202P-S4S2	6	ICM2-1204P-S4S2
ICM1-1202N-S4S2	5	ICM2-1204N-S4S2

Voltage Drop: <1.5V (for Operating Volt. 10-30V)
<1V (for Operating Volt. 5-36V)
<2V (for Operating Volt. 10-55V)
This applies to all models in the category of DC INDUCTIVE PROXIMITY SWITCH.

4 φ 3x0.15	
Approx.62 g	Approx.60 g

M 18	
5 mm	8 mm
stainless steel or nickel plated brass	



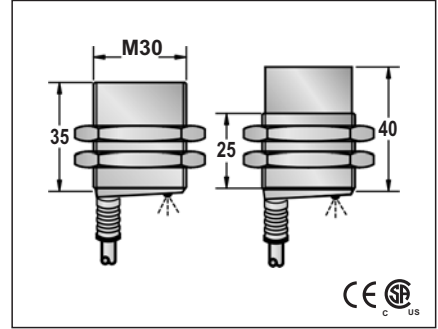
10-30VDC or 5-36VDC or 10-55VDC	
<10%	
<10mA	<20mA
200mA	
<0.01mA	
-	
<1.5V or <1.0V or <2.0V	
1KHZ	500HZ
0.2ms/0.2ms	0.5ms/0.5ms
<15%(Sr)	
<1.0%(Sr)	
IP67	
-25°C - +70°C	
<10%(Sr)	
YES	
220mA	
<10ms	
RFI>3V/m / EFT>1KV / ESD>4KV (contact)	
IEC 60947-5-2,Part 7.4.1 / IEC 60947-5-2,Part 7.4.2	
PBT	

FCM1-1805N-A3S2	1	FCM2-1808N-A3S2
FCM1-1805N-B3S2	2	FCM2-1808N-B3S2
FCM1-1805P-A3S2	3	FCM2-1808P-A3S2
FCM1-1805P-B3S2	4	FCM2-1808P-B3S2
FCM1-1805P-S4S2	6	FCM2-1808P-S4S2
FCM1-1805N-S4S2	5	FCM2-1808N-S4S2
FCM1-1805C-A2S2	7	FCM2-1808C-A2S2
FCM1-1805C-B2S2	8	FCM2-1808C-B2S2
HCM1-1805N-A3S2	1	HCM2-1808N-A3S2
HCM1-1805N-B3S2	2	HCM2-1808N-B3S2
HCM1-1805P-A3S2	3	HCM2-1808P-A3S2
HCM1-1805P-B3S2	4	HCM2-1808P-B3S2
ICM1-1805N-A3S2	1	ICM2-1808N-A3S2
ICM1-1805N-B3S2	2	ICM2-1808N-B3S2
ICM1-1805P-A3S2	3	ICM2-1808P-A3S2
ICM1-1805P-B3S2	4	ICM2-1808P-B3S2
ICM1-1805P-S4S2	6	ICM2-1808P-S4S2
ICM1-1805N-S4S2	5	ICM2-1808N-S4S2

Please see Page 18 for details and specifications of DC 2-Wire models on this page.

5.0 φ 44x0.1	
Approx.132 g	Approx.134 g

M 30	
10 mm	15 mm
stainless steel or nickel plated brass	



10-30VDC or 5-36VDC or 10-55VDC	
<10%	
<10mA	<20mA
200mA	
<0.01mA	
-	
<1.5V or <1.0V or <2.0V	
300HZ	150HZ
0.5ms/0.5ms	1ms/1ms
<15%(Sr)	
<1.0%(Sr)	
IP67	
-25°C - +70°C	
<10%(Sr)	
YES	
220mA	
<10ms	
RFI>3V/m / EFT>1KV / ESD>4KV (contact)	
IEC 60947-5-2,Part 7.4.1 / IEC 60947-5-2,Part 7.4.2	
PBT	

FCM1-3010N-A3S2	1	FCM2-3015N-A3S2
FCM1-3010N-B3S2	2	FCM2-3015N-B3S2
FCM1-3010P-A3S2	3	FCM2-3015P-A3S2
FCM1-3010P-B3S2	4	FCM2-3015P-B3S2
FCM1-3010P-S4S2	6	FCM2-3015P-S4S2
FCM1-3010N-S4S2	5	FCM2-3015N-S4S2
FCM1-3010C-A2S2	7	FCM2-3015C-A2S2
FCM1-3010C-B2S2	8	FCM2-3015C-B2S2
HCM1-3010N-A3S2	1	HCM2-3015N-A3S2
HCM1-3010N-B3S2	2	HCM2-3015N-B3S2
HCM1-3010P-A3S2	3	HCM2-3015P-A3S2
HCM1-3010P-B3S2	4	HCM2-3015P-B3S2
ICM1-3010N-A3S2	1	ICM2-3015N-A3S2
ICM1-3010N-B3S2	2	ICM2-3015N-B3S2
ICM1-3010P-A3S2	3	ICM2-3015P-A3S2
ICM1-3010P-B3S2	4	ICM2-3015P-B3S2
ICM1-3010P-S4S2	6	ICM2-3015P-S4S2
ICM1-3010N-S4S2	5	ICM2-3015N-S4S2

5.8 φ 3x0.5	
Approx.180 g	Approx.182 g